

1

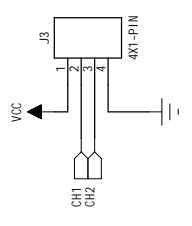
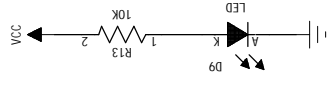
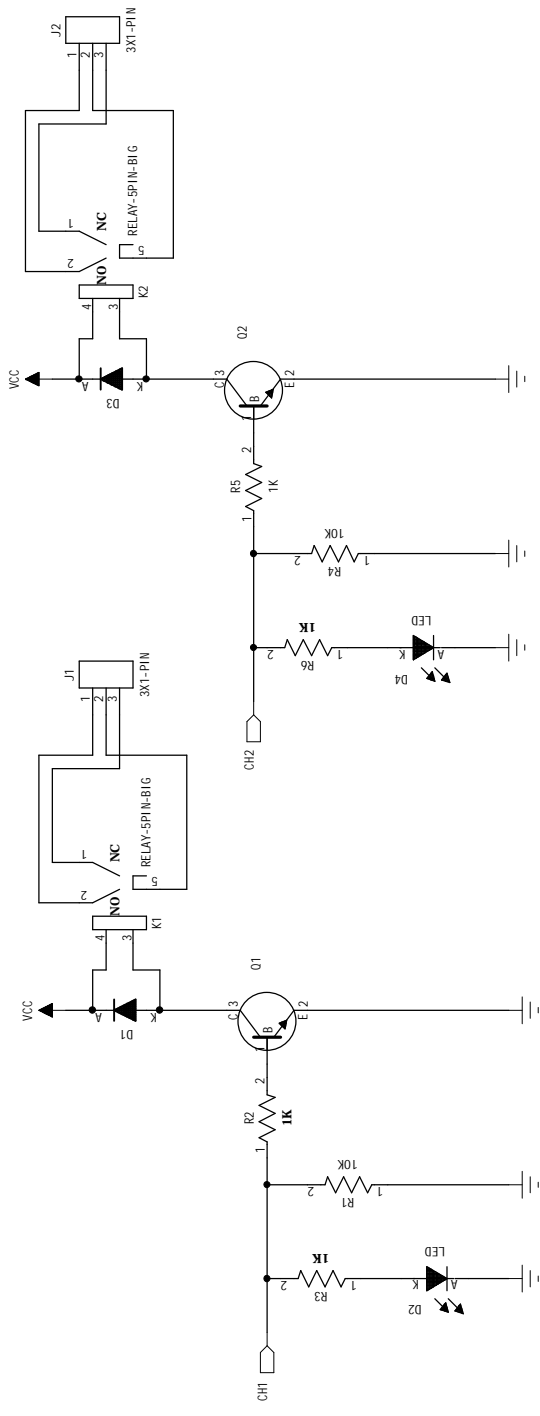
2

3

4

5

6



D

C

B

<b>Company:</b>	
<b>Project Name:</b>	<b>Rev:</b>
<b>Sheet Name:</b> <undefined>	
<b>Designed by</b>	
<b>File Name:</b> relay 2ch V1	
<b>Date :</b>	
<b>Page Num: 1 of 1</b>	

A

D

C

B

A